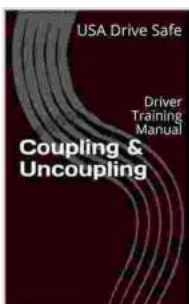
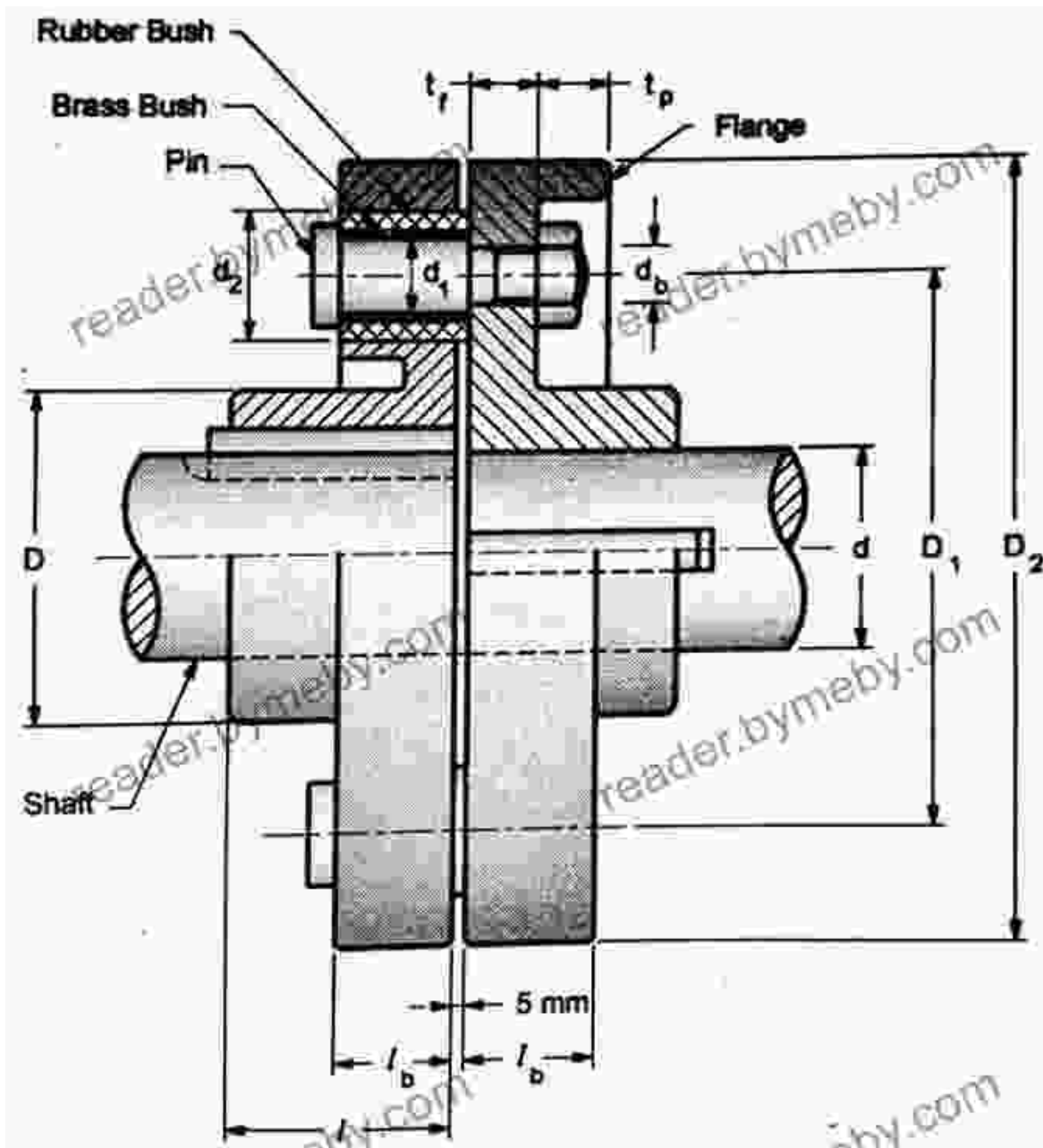


Coupling and Uncoupling Driver Training Manual: Empowering Professionals for Safe and Efficient Transport

In the bustling world of transportation, the ability to couple and uncouple trailers is a crucial skill for drivers. Ensuring seamless and secure connections is paramount for safe and efficient operations. The Coupling Uncoupling Driver Training Manual provides a comprehensive guide to navigate this essential aspect of commercial driving.

Detailed Instructions for Effective Coupling



Coupling & Uncoupling: Driver Training Manual

★★★★☆ 4.8 out of 5

Language : English

File size : 2278 KB

Text-to-Speech : Enabled

Screen Reader : Supported

Enhanced typesetting : Enabled

Word Wise : Enabled

Print length : 44 pages



This manual meticulously outlines the step-by-step procedure for coupling trailers. From aligning the tractor and trailer to engaging the kingpin and connecting air and electrical lines, every aspect is covered in detail.

- **Proper Alignment:** Precise alignment of the tractor and trailer is crucial for a successful coupling. The manual provides clear guidance on how to maneuver the vehicles into the correct position.
- **Kingpin Engagement:** Engaging the kingpin securely is essential for the stability of the connection. The manual instructs drivers on how to position the tractor and trailer, as well as how to use the fifth wheel to lock the kingpin in place.
- **Air and Electrical Connections:** Connecting the air and electrical lines between the tractor and trailer ensures proper functioning of the braking system, lighting, and other essential components. The manual provides clear instructions on how to connect each line.

Safe Uncoupling for Smooth Disconnection



Uncoupling trailers is equally important as coupling. The manual provides detailed instructions for a safe and efficient uncoupling process.

- **Preparations:** Before uncoupling, it is essential to set the parking brake and chock the wheels of both the tractor and trailer.
- **Disconnecting Lines:** Unplug the electrical and air lines carefully to avoid damage or leaks.
- **Kingpin Release:** Using the fifth wheel handle, release the kingpin and slowly separate the tractor from the trailer.

The manual emphasizes the importance of proper safety precautions during both coupling and uncoupling procedures, including wearing gloves, safety glasses, and sturdy footwear.

Additional Resources for Enhanced Training

Beyond the comprehensive instructions, the Coupling Uncoupling Driver Training Manual offers additional resources to enhance training:

- **Interactive Simulations:** The manual includes links to interactive simulations that provide realistic practice scenarios for drivers.
- **Troubleshooting Guide:** A troubleshooting guide is provided to assist drivers in resolving common issues they may encounter during coupling or uncoupling.
- **Video Demonstrations:** Video demonstrations are available to supplement the text instructions and provide a visual representation of the procedures.

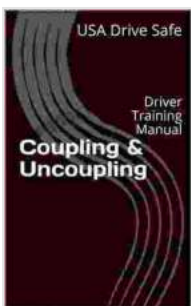
Benefits of Effective Coupling and Uncoupling

Mastering the skills outlined in this manual will bring numerous benefits to professional drivers and transportation companies:

- **Enhanced Safety:** Proper coupling and uncoupling procedures ensure secure connections, reducing the risk of accidents and injuries.
- **Increased Efficiency:** Seamless coupling and uncoupling operations lead to faster turnaround times, resulting in increased productivity.
- **Reduced Downtime:** Minimizing the risk of breakdowns and delays due to improper coupling or uncoupling saves valuable time and resources.
- **Improved Compliance:** Adhering to the guidelines outlined in this manual helps drivers comply with industry regulations and safety standards.

The Coupling Uncoupling Driver Training Manual is an indispensable resource for commercial drivers, fleet managers, and anyone involved in the transportation industry. Its comprehensive instructions, enhanced training resources, and emphasis on safety empower professionals with the knowledge and skills to perform coupling and uncoupling operations with confidence and efficiency.

By investing in this manual, you invest in the safety, productivity, and success of your driving operations.



Coupling & Uncoupling: Driver Training Manual

★★★★☆ 4.8 out of 5

Language : English

File size : 2278 KB

Text-to-Speech : Enabled

Screen Reader : Supported

Enhanced typesetting : Enabled

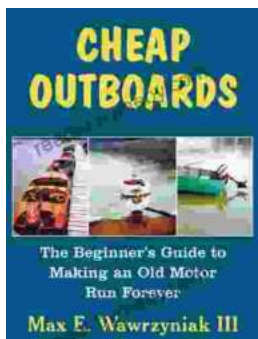
Word Wise : Enabled

Print length : 44 pages

Lending : Enabled

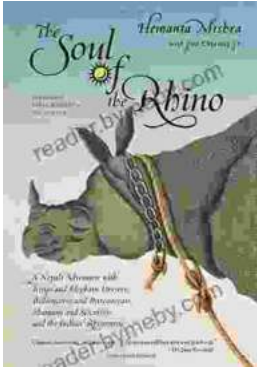
FREE

DOWNLOAD E-BOOK



The Beginner's Guide to Making an Old Motor Run Forever

If you're like most people, you probably don't think about your motor very often. But if you're like most people, you also probably rely on your motor every...



Nepali Adventure: Kings and Elephant Drivers, Billionaires and Bureaucrats

In the heart of the Himalayas, where ancient traditions meet modern challenges, lies the enigmatic land of Nepal. It's a place where kings once ruled,...